

HITACHI

SERVICE MANUAL

VC

No.0283E

CV-300 VDE

CONTENTS

1.PARTS LIST	2
1.1 CV-300 VDE (BL)	
1.2 CV-300 VDE (RE)	
2.CONSTRUCTION DIAGRAM AND	6
CONNECTION DIAGRAM	

SPECIFICATIONS

Rated voltage	: AC230V,50Hz
Rated input	: MAX 1300W, CEE/IEC 1200W
Motor	: Commutator motor
Fan	: Turbo type 1 stage
Speed	: 29,000 rpm
Insulation class of materials	: Class E
Maximum air flow(without attachment)	: 2.1m ³ /min(74 cu.ft/min)
Maximum static pressure	: 1,900mmAq.
Weight(without attachment)	: 4.5kg
Dimensions	: 342mm(L)×287mm(W)×402mm(H)

SPECIFICATIONS AND PARTS ARE SUBJECT TO CHANGE FOR IMPROVEMENT

VACUUM CLEANER

MARCH 2006 (REVISE # A)

HITACHI CONSUMER PRODUCTS (THAILAND), LTD.

4

1. PARTS LIST

1.1 CV-300 VDE BL

NO.	PARTS NO.	DESCRIPTION	Qty	PACKED QTY	REMARKS	ONLY FOR USE AT THE WORKS
1						
2	CV-300 901	Upper Case Assy (BL)	1	1		2V1ZD5769 H
3						
4	CV-300 902	HANDLE 300 (BL)	1	1		1V1KC6041 A
5						
6	CV-300 907	Dust Indicator Coupling	1	1		2A4GD1563 1
7	CV-300 908	Dust Indicator Assy	1	1		3A4GE3019 H
8	—————	Tapping Screw M4X16	2			M7201424
9						
10						
11						
12	CV-300 909	Rocker Switch	1	1		1J61A9891 1
13	CV-300 910	Clamp with Spring (DG)	1	1	inc. 14	3A3QH2371 A
14	—————	Clamp	1			3A3Q86606 5
15	—————	Clamp Spring	1			4A4T54349 1
16	CV-300 911	Gasket (R)	1	1		3A8LA1668 2
17	CV-300P 907	Silencer T15	1	1		3A8PK9168 1
18	CV-300P 908	Silencer T20	1	1		3A8PK9168 2
19	CV-300 904	GASKET(F)	1	1		3A8LJ8658 1
20						
21	CV-300 905	Motor Assy (230V)	1	1	inc. 16,19	2K55D1551 X
22	CV-300 912	Carbon Brush Assy	2	1		2C6ZC9570 C
23						
24	CV-300 913	Noise Suppressor (VDE)	1	1		2J1833291 2
25	—————	Tapping Screw M4X8	1			4M7246306 1
26	CV-300 906	Motor Supporter	1	1	inc. 30	1V1ZC6501 A
27	—————	Tapping Screw M4X25	4			M7201426
28	—————	Terminal Block	1			3J82A5225 1
29	—————	Screw M4X10	2			4M7246306 2
30	CV-300P 906	Motor Base Packing (CV300)	1	1		3B3BK8888 1
31	CV-300P 903	P-Filter Hepa Ass'y	1	1	inc.32~34	2V1ZG8191 A
32	—————	P-Hepa Guard 300	1			1L47C6210 1
33	—————	P-Hepa Guard Cover 300	1			1L47C6211 1
34	Sales Item	P-Filter Hepa 300	1	1		2L4ZG8876 A
35	CV-300 914	Bushing	1	1		GK435130 3
36	CV-300 915	Fiber Plate	1	1		4A3P18011 1
37	—————	Tapping Screw M4X16	2			M7201424
38						
39	CV-300 916	CORD ASSY (VDE)	1	1		2B1ZF9550 4

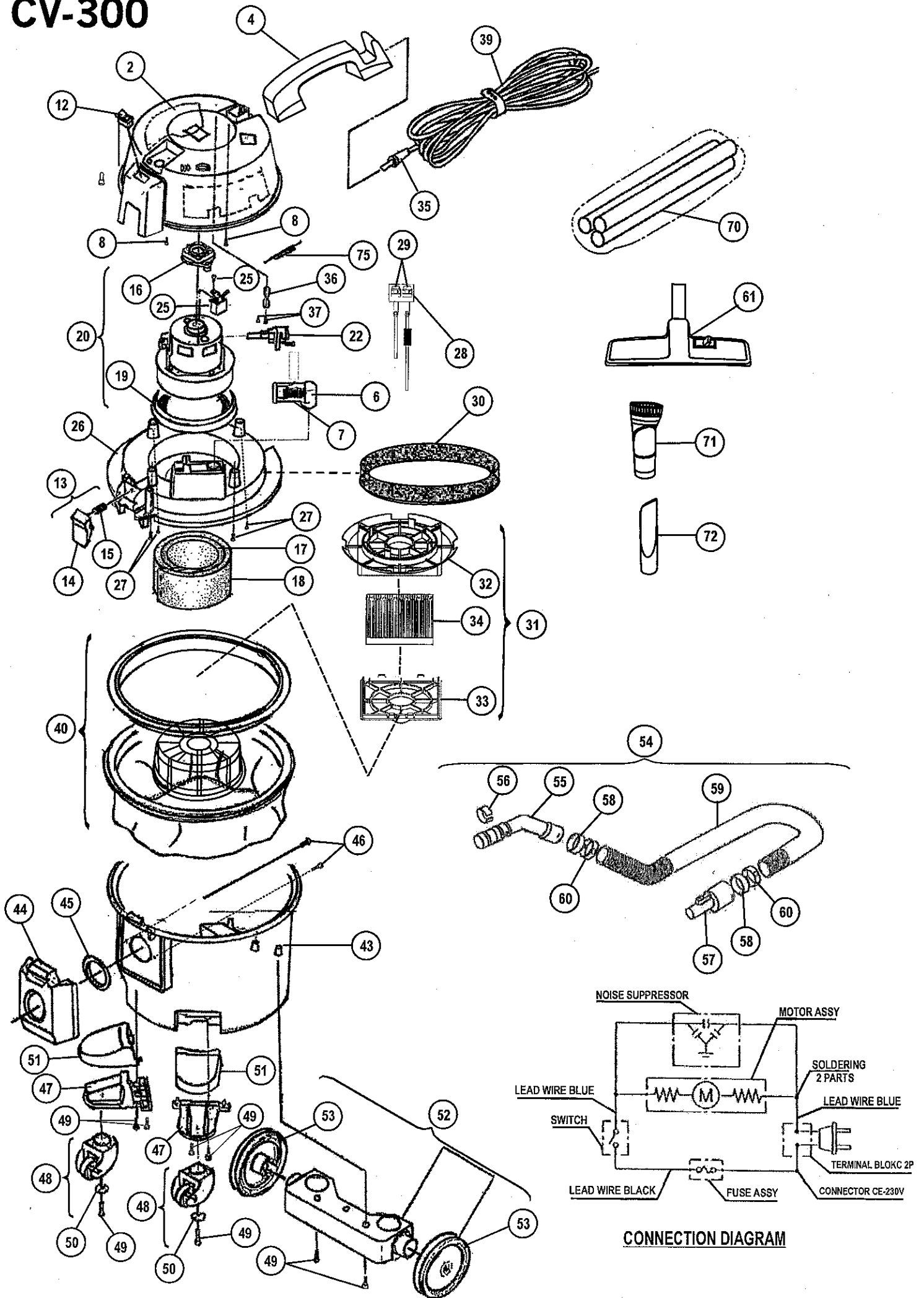
NO.	PARTS NO.	DESCRIPTION	Qty	PACKED QTY	REMARKS	ONLY FOR USE AT THE WORKS	
40	CV-300 917	Filter Assy	1	1		2V1Z35150	F
41							
42							
43	CV-300 934	Lower Case (BL)	1	1		0V1B02478	2
44	CV-300 918	Suction Inlet (DG)	1	1		2V1E31979	5
45	CV-300 919	Inlet Packing	1	1		3L4486549	1
46	_____	Tapping Screw M4X16	2			M7201424	
47	CV-300 920	Caster Supporter	2	1		2L1734955	4
48	CV-300 921	Caster Assy	2	1	inc.49,50	3L9ZA6538	F
49	_____	Tapping Screw M4X16	8			M7201424	
50	CV-300 922	Caster Washer	2	1		4M8719499	1
51	CV-300 923	Bumper (DG)	2	1		2A8M34956	4
52	CV-300 924	Wheel Supporter Assy (DG)	1	1	inc. 53	3L1Z95039	D
53	CV-300 925	Wheel (100) DG	2	1		2L9333324	P
54	CV-300 926	Hose Assy	1	1	inc. 55~60	1A1ZA3203	U
55	CV-300 927	Curved Pipe Assy	1	1	inc. 56, 58, 60	2V2ZA8751	N
56	_____	Adjustment Ring	1			2A2UC8991	1
57	CV-300 928	Hose Connector (B) Assy	1	1	inc. 58, 60	2L3ZA9595	H
58	_____	Seal Ring	2			3A2RC7604	1
59	_____	Hose	1	1		2A1UC8241	6
60	_____	Stopper Ring	2			3A2QC7605	4
61	CV-300 929	Rug and Floor Nozzle (D321)	1	1		1V2ZA8005	A
62							
63							
64							
65							
66							
67							
68							
69							
70	CV-300 930	Extension Pipe (S)	1	1		1A1NA9986	2
71	CV-300 931	Dusting Brush Assy	1	1		2V2ZC8940	A
72	CV-300 932	Crevice Nozzle C120 (DGR)	1	1		2V2EF2319	1
73							
74							
75	CV-300 933	Fuse (10A)	1	1		2J82E1409	B
76							
77							

1.2 CV-300 VDE RE

NO.	PARTS NO.	DESCRIPTION	Qty	PACKED QTY	REMARKS	ONLY FOR USE AT THE WORKS	
1							
2	CV-300 903	Upper Case Assy (RE)	1	1		2V1ZD5769	J
3							
4	CV-300P 905	Handle (RE)	1	1		1V1KC6041	C
5							
6	CV-300 907	Dust Indicator Coupling	1	1		2A4GD1563	1
7	CV-300 908	Dust Indicator Assy	1	1		3A4GE3019	H
8	_____	Tapping Screw M4X16	2			M7201424	
9							
10							
11							
12	CV-300 909	Rocker Switch	1	1		1J61A9891	1
13	CV-300 910	Clamp with Spring (DG)	1	1	inc. 14	3A3QH2371	A
14	_____	Clamp	1			3A3Q86606	5
15	_____	Clamp Spring	1			4A4T54349	1
16	CV-300 911	Gasket (R)	1	1		3A8LA1668	2
17	CV-300P 907	Silencer T15	1	1		3A8PK9168	1
18	CV-300P 908	Silencer T20	1	1		3A8PK9168	2
19	CV-300 904	GASKET(F)	1	1		3A8LJ8658	1
20							
21	CV-300 905	Motor Assy (230V)	1	1	inc. 16,19	2K55D1551	X
22	CV-300 912	Carbon Brush Assy	2	1		2C6ZC9570	C
23							
24	CV-300 913	Noise Suppressor (VDE)	1	1		2J1833291	2
25	_____	Tapping Screw M4X8	1			4M7246306	1
26	CV-300 906	Motor Supporter	1	1	inc.30	1V1ZC6501	A
27	_____	Tapping Screw M4X25	4			M7201426	
28	_____	Terminal Block	1			3J82A5225	1
29	_____	Screw M4X10	2			4M7246306	2
30	CV-300P 906	Motor Base Packing (CV300)	1	1		3B3BK8888	1
31	CV-300P 903	P-Filter Hepa Ass'y	1	1	inc.32~34	2V1ZG8191	A
32	_____	P-Hepa Guard 300	1			1L47C6210	1
33	_____	P-Hepa Guard Cover 300	1			1L47C6211	1
34	Sales Item	P-Filter Hepa 300	1	1		2L4ZG8876	A
35	CV-300 914	Bushing	1	1		GK435130	3
36	CV-300 915	Fiber Plate	1	1		4A3P18011	1
37	_____	Tapping Screw M4X16	2			M7201424	
38							
39	CV-300 916	CORD ASSY (VDE)	1	1		2B1ZF9550	4

NO.	PARTS NO.	DESCRIPTION	Qty	PACKED QTY	REMARKS	ONLY FOR USE AT THE WORKS	
40	CV-300 917	Filter Assy	1	1		2V1Z35150	F
41							
42							
43	CV-300P 909	Lower Case (RE)	1	1		0V1B02478	4
44	CV-300 918	Suction Inlet (DG)	1	1		2V1E31979	5
45	CV-300 919	Inlet Packing	1	1		3L4486549	1
46		Tapping Screw M4X16	2			M7201424	
47	CV-300 920	Caster Supporter	2	1		2L1734955	4
48	CV-300 921	Caster Assy	2	1	inc.49,50	3L9ZA6538	F
49		Tapping Screw M4X16	8			M7201424	
50	CV-300 922	Caster Washer	2	1		4M8719499	1
51	CV-300 923	Bumper (DG)	2	1		2A8M34956	4
52	CV-300 924	Wheel Supporter Assy (DG)	1	1	inc. 53	3L1Z95039	D
53	CV-300 925	Wheel (100) DG	2	1		2L9333324	P
54	CV-300 926	Hose Assy	1	1	inc. 55~60	1A1ZA3203	U
55	CV-300 927	Curved Pipe Assy	1	1	inc. 56, 58, 60	2V2ZA8751	N
56		Adjustment Ring	1			2A2UC8991	1
57	CV-300 928	Hose Connector (B) Assy	1	1	inc. 58, 60	2L3ZA9595	H
58		Seal Ring	2			3A2RC7604	1
59		Hose	1	1		2A1UC8241	6
60		Stopper Ring	2			3A2QC7605	4
61	CV-300 929	Rug and Floor Nozzle (D321)	1	1		1V2ZA8005	A
62							
63							
64							
65							
66							
67							
68							
69							
70	CV-300 930	Extension Pipe (S)	1	1		1A1NA9986	2
71	CV-300 931	Dusting Brush Assy	1	1		2V2ZC8940	A
72	CV-300 932	Crevice Nozzle C120 (DGR)	1	1		2V2EF2319	1
73							
74							
75	CV-300 933	Fuse (10A)	1	1		2J82E1409	B
76							
77							

CV-300



HITACHI

Printed in Thailand

CV-300 VDE VC No.0283E

HITACHI CONSUMER PRODUCTS (THAILAND), LTD.