

HITACH

SERVICE MANUAL

VC

No.0371E

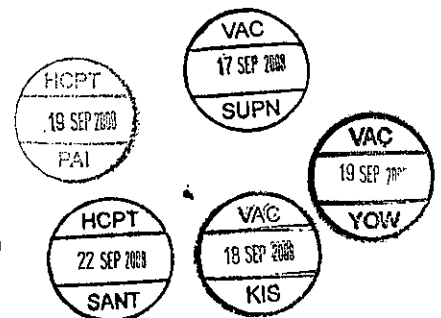
CV-950BK VDE

CONTENTS

1.PARTS LIST	2
1.1 CV-950BK VDE (BL)	
2.CONSTRUCTION DIAGRAM AND	5
CONNECTION DIAGRAM	

SPECIFICATIONS

Rated voltage	: AC220-240V~50-60Hz
Rated input	: MAX 1500-1800W, CEE/IEC 1300-1600W
Motor	: Commutator motor
Fan	: Turbo type 1 stage
Speed	: 33,500rpm
Insulation class of materials	: Class E
Maximum air flow(without attachment)	: 2.3m ³ /min (81 cu.ft/min)
Maximum static pressure	: 2,300mmAq.
Weight(without attachment)	: 6.0kg
Dimensions	: 397mm(L)×335mm(W)×536mm(H)



SPECIFICATIONS AND PARTS ARE SUBJECT TO CHANGE FOR IMPROVEMENT

VACUUM CLEANER

SEPTEMBER 2008

HITACHI CONSUMER PRODUCTS (THAILAND), LTD.

1. PARTS LIST

1.1 CV-950BK VDE (BL)

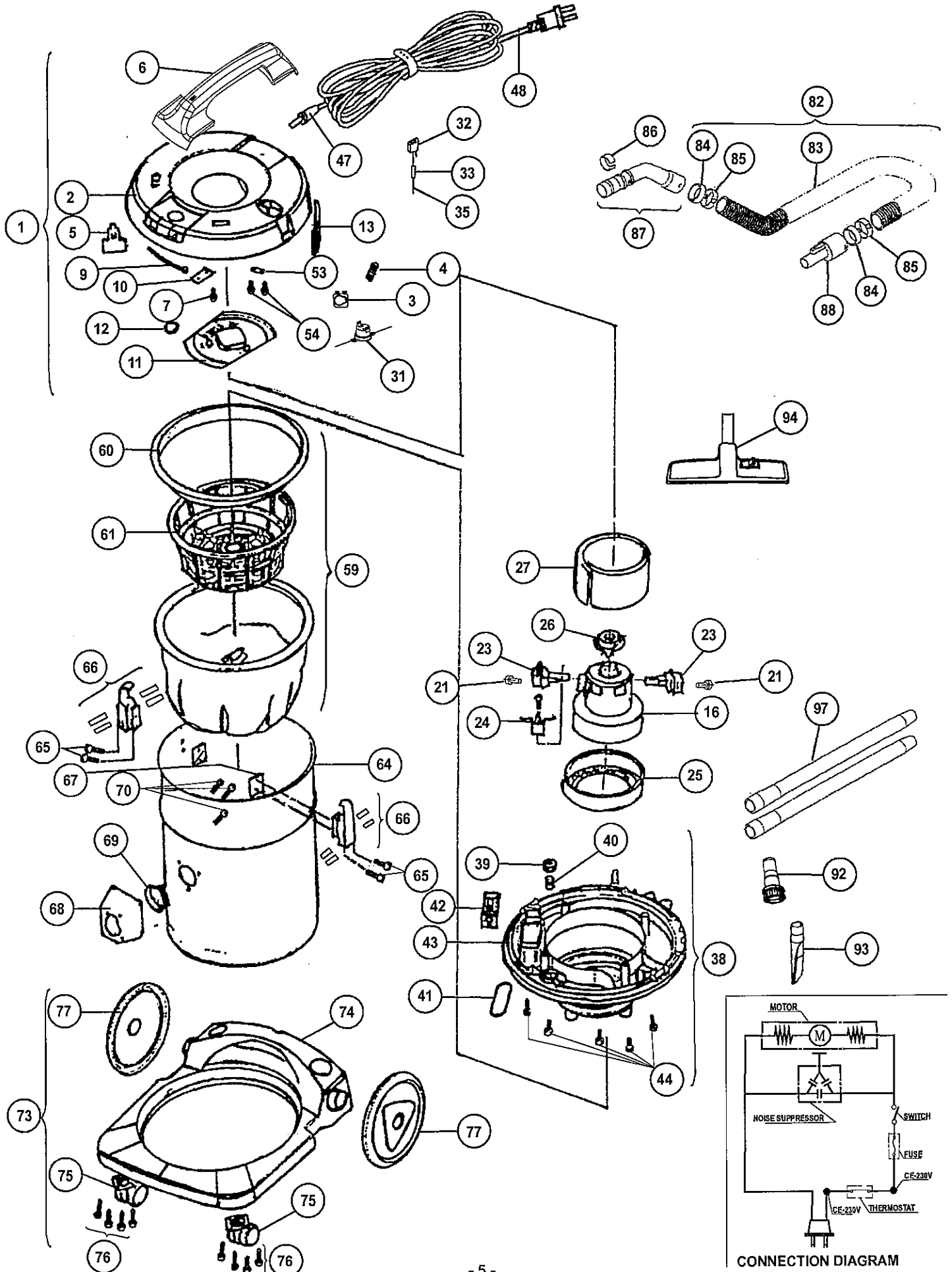
NO.	PARTS NO.	DESCRIPTION	Q'TY	PACKED Q'TY	REMARKS	ONLY FOR USE AT THE WORKS	
1	CV-950BK 918	Upper Case Assy(BL)	1	1	inc. 2 ~ 13	1V1ZB6147	M/V
2	—————	Upper Case (BL)	1			0V1BA2916	2
3	—————	Blower Cover (BL)	1			2V1YE2985	2
4	—————	Blower Spring	1			4A4VA5773	1
5	CV-950 931	E Terminal Bronze	1	1		3B1EA5922	1/V
6	—————	Handle (BL)	1			1V1KC6516	2
7	—————	Screw 4X16	1			M7201424	
8							
9	—————	Terminal Assy (2)	1			3B1ZB8999	B
10	—————	Felt	1			3L47J2235	1
11	—————	Motor Cover	1			1A2QB5633	1
12	—————	Bypass Packing	1			3L47J2236	1
13	—————	Exhaust Filter	2			3L47J2234	1
14							
15							
16	CV-960BJ 901	Motor Assy (240V)	1	1	inc. 21, 23, 25,26	2K55D1551	V/V
17							
18							
19							
20							
21	—————	Screw M4X10	2			4M7246306	2
22							
23	CV-2800 920	Carbon Brush Assy	2	2		2C6ZC9570	A/V
24	CV-2500 912	Noise Suppressor (VDE)	1	1		2J1833291	2/V
25	CV-770D 912	Gasket (LU)	1	1		3A8LF6233	1/V
26	CV-SH18 929	Gasket R (Common)	1	1		3L92M0006	1/V
27	CV-T40 908	Silencer(NT)	1	1		3A8P58861	4/V
28							
29							
30							
31	CV-100 932	Thermostat Ass'y	1	1		3J8ZK4584	A/V
32	CV-100 905	Rocker Switch	1	1		1J61A9891	1/V
33	CV-950BJ 916	Fuse (10A)	1	1		2J82E1409	H/V
34							
35	—————	Lead Wire (R)180	1			3B1KF5577	4
36							
37							
38	CV-960BJ 913	Motor Base Assy	1	1	inc. 39 ~ 43	1V1ZB5806	B/V
39	—————	Bypass Piston	1			3A4GJ2501	1

NO.	PARTS NO.	DESCRIPTION	Q'TY	PACKED Q'TY	REMARKS	ONLY FOR USE AT THE WORKS	
40	—————	Bypass Spring	1			3A4TJ2237	1
41	—————	Indicator Packing	1			3L44J2238	1
42	CV-960BJ 906	Dust Indicator Assy	1	1		3A4GE3019	G/V
43	—————	Motor Base	1			OV1BA2917	1
44	—————	Screw 4X25	5			M7201426	
45							
46							
47	CV-100 925	Bushing X	1	1		GK435130	3/V
48	CV-950BK 917	Cord Ass'y 950(VDE)	1	1		2B1XH3270	3/V
49							
50							
51							
52							
53	CV-S960 906	Filter Plate(2)	1	1		4A3P18011	1/V
54	—————	Screw 4X16	2			M7201424	
55							
56							
57							
58							
59	CV-950 921	Filter Sub-Assy	1	1		2V1ZA2198	F/V
60	—————	Filter Ring	1			3V1YA4548	1
61	—————	Filter Cage	1			1V1CA0593	2
62							
63							
64	CV-950BK 906	Tank 950BK (18AJ) BL	1	1		1V1AC7647	D/V
65	—————	Screw M4X6	4			M7900073	
66	CV-950 927	Clamp Assy (950)	1	1		2A3QA2109	A/V
67	CV-950 928	Clamp Plate	1	1		4A3PA3271	1/V
68	CV-950G 915	Hose Inlet	1	1		2V1EA1935	3/V
69	CV-950 926	Inlet Packing	1	1		3L44A4545	2/V
70	—————	Screw 4X16	3			M7201424	
71							
72							
73	CV-S950 905	Wheel Base Assy	1	1	inc. 74 ~ 77	1V1ZB5809	A/V
74	—————	Wheel Base	1			0V1YA2918	1
75	—————	Twin Castor	2			2L93E3231	1
76	—————	Screw M4X16	8			M7201424	
77	—————	Wheel 160	2			1L93B5383	1
78							
79							
80							
81							

NO.	PARTS NO.	DESCRIPTION	Q'TY	PACKED Q'TY	REMARKS	ONLY FOR USE AT THE WORKS	
82	CV-950BJ 914	Hose Assy 2.0M	1	1	INC. 83~85	2A1ZC8540	E/V
83	—————	Hose	1			2A1UC8241	4
84	—————	Seal Ring	2			3A2RK5296	1
85	—————	Stopper Ring CV-S880	2			3A2QC7605	4
86	—————	Adjustment Ring	1			2A2UC8991	1
87	CV-SH20V 959	Curved Pipe Ass'y(Metal)	1	1		2V2ZA8751	R/V
88	CV-790 912	Hose Connector (B) Assy	1	1		2L3ZA9595	G/V
89							
90							
91							
92	CV-SH20V 935	Dusting Brush Assy	1	1		2V2ZC8940	B/V
93	CV-780DC 923	Crevice Nozzle	1	1		2V2EA7643	7/V
94	CV-2800 938	Rug And Floor Nozzle(D321)	1	1		1V2ZA8005	D/V
95							
96							
97	CV-SH18 916	Extension Pipe(M) (BK-Coating)	1	1		1A1NB9725	1/V
98							
99							
100							
101							
102							
103							
104							
105							
106							
107							
108							

CV-950BK

CONSTRUCTION DIAGRAM AND CONNECTION DIAGRAM



HITACHI

Printed in Thailand

CV-950BK VDE No.0371E

HITACHI CONSUMER PRODUCTS (THAILAND), LTD.