

HITACHI

SERVICE MANUAL

VC

No.0286E

CV-T190A VDE

CONTENTS

1.PARTS LIST.....	2
1.1 CV-T190A VDE (RE)	
2.CONSTRUCTION DIAGRAM AND	4
CONNECTION DIAGRAM	

SPECIFICATIONS

Rated voltage	: AC230V,50Hz
Rated input	: MAX 1300W, CEE/IEC 1200W
Motor	: Commutator motor
Fan	: Turbo type 1 stage
Speed	: 29,000 rpm
Insulation class of materials	: Class E
Maximum air flow(without attachment)	: 2.1m ³ /min(74 cu.ft/min)
Maximum static pressure	: 1,900mmAq.
Weight(without attachment)	: 4.2kg
Dimensions	: 342mm(L)×250mm(W)×330mm(H)

SPECIFICATIONS AND PARTS ARE SUBJECT TO CHANGE FOR IMPROVEMENT

VACUUM CLEANER

JANUARY 2005

HITACHI CONSUMER PRODUCTS(THAILAND)LTD.

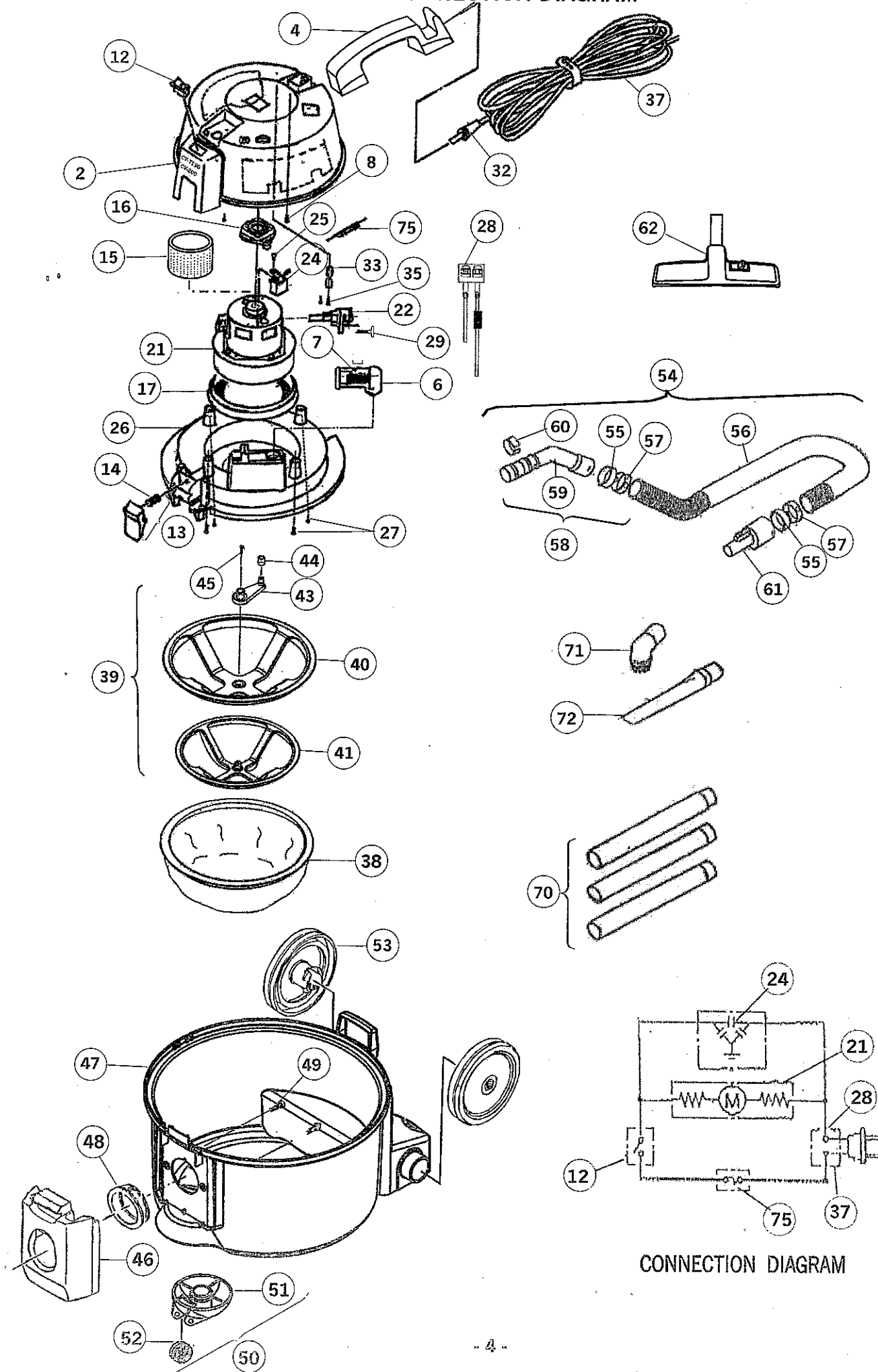
1. PARTS LIST

1.1 CV-T190A VDE (RE)

NO.	PARTS NO.	DESCRIPTION	Q'TY	PACKED QTY	REMARKS	ONLY FOR USE AT THE WORKS
1						
2	CV-T190A 901	Upper Case Assy (RE)	1	1		2V1ZD5769 G
3						
4	CV-T190A 902	Handle (RE)	1	1		1V1KC6041 C
5						
6	CV-T190A 903	Dust Indicator Coupling	1	1		2A4GD1563 1
7	CV-T190A 904	Dust Indicator Assy	1	1		3A4GE3019 C
8	—————	Tapping Screw M4X16	2			M7201424
9						
10						
11						
12	CV-T190A 905	Switch	1	1		1J61A9891 1
13	CV-T190A 906	Clamp with Spring (DG)	1	1	inc. 14~15	3A3QH2371 A
14	—————	Clamp	1			3A3Q86606 5
15	—————	Clamp Spring	1			4A4T54349 1
16	CV-T190A 907	Silencer(NT)	1	1		3A8P58861 4
17	CV-T190A 908	Gasket(R)	1	1		3A8LA1668 2
18	CV-T190A 909	Gasket (LU)	1	1		3A8LF6233 1
19						
20						
21	CV-T190A 910	Motor Assy (230V)	1	1	inc. 22	2K55D1551 B
22	CV-T190A 911	Carbon Brush Assy	2	2		2C6ZC9570 C
23						
24	CV-T190A 912	Noise Suppressor (VDE)	1	1		2J1833291 2
25		Tapping Screw M4X8	1			4M7246306 1
26	CV-T190A 913	Motor Supporter	1	1		0V1BA1998 2
27	—————	Tapping Screw M4X25	4			M7201426
28	—————	Terminal Block	1			3J82A5225 1
29	—————	Screw M4X10	2			4M7246306 2
30						
31						
32	—————	Bushing	1			GK435130 2
33	—————	Fiber Plate	1			4A3P18011 1
34						
35	—————	Tapping Screw M4X16	2			M7201424
36						
37	CV-T190A 914	Cord Assy (VDE)	1	1		2B1ZF9550 4
38	CV-T190A 915	Filter Ass'y T190	1	1		2V1ZE9602 A
39	CV-T190A 916	Dust Removing Device Ass'y	1	1	inc. 40~45	3V1CK3104 A
40	—————	Filter Bracket	1			1V1CB8891 1
41	—————	Dust Removing Device	1			2V1C00493 2

NO.	PARTS NO.	DESCRIPTION	Q'TY	PACKED QTY	REMARKS	ONLY FOR USE AT THE WORKS
42						
43		Dust Removing Lever	1			3A5N49512 1
44		Knob (B)	1			3A3H86953 1
45		PPT Screw M4x20	1			M7201425
46	CV-T190A 917	Suction Inlet (DG)	1	1		2V1E31979 5
47	CV-T190A 918	Lower Case (RE)	1	1		0V1BA3921 2
48	CV-T190A 919	Inlet Packing	1	1		3L4486549 1
49		Tapping Screw M4X16	2			M7201424
50	CV-T190A 920	Caster Ass'y(OB)	1	1		3L9ZA5494 F
51		Caster Frame(DG)	1			2L93A2216 6
52		Wheel (32) (DG)	1			3L9355704 7
53	CV-T190A 921	Wheel (100) DG	2	1		2L9333324 P
54	CV-T190A 922	Hose Assy 2.0M (DGR)	1	1	inc. 56,58,61	1A1ZA3203 X
55		Seal Ring	2			3A2RC7604 1
56	CV-T190A 923	Hose Assy 2.0M	1	1	inc.55,57	2A1ZC8540 E
57		Stopper Ring	2			3A2QC7605 4
58	CV-T190A 924	Curved Pipe Ass'y	1	1	inc.59,60	2V2ZA8751 N
59		Curved Pipe	1			2L36C8891 1
60		Adjustment Ring	1			2A2UC8991 1
61	CV-T190A 925	Hose Connector (B) Assy	1	1		2L3ZA9595 H
62	CV-T190A 926	Rug and Floor Nozzle (D321)	1	1	inc. 63-69	1V2ZA8005 A
63						
64						
65						
66						
67						
68						
69						
70	CV-T190A 927	Extension Pipe (S)	3	1		1A1NA9986 2
71	CV-T190A 928	Dusting Brush Assy	1	1		2V2ZC8940 A
72	CV-T190A 929	Crevice Nozzle (C120) DGR	1	1		2V2EF2319 1
73						
74						
75	CV-T190A 930	Fuse (10A)	1	1		2J82E1409 B
76						
77						

CV-T190A VDE CONSTRUCTION DIAGRAM AND CONNECTION DIAGRAM



CONNECTION DIAGRAM

HITACHI

Printed in Thailand

CV-T190A VDE VC No.0286E

HITACHI CONSUMER PRODUCTS(THAILAND)LTE